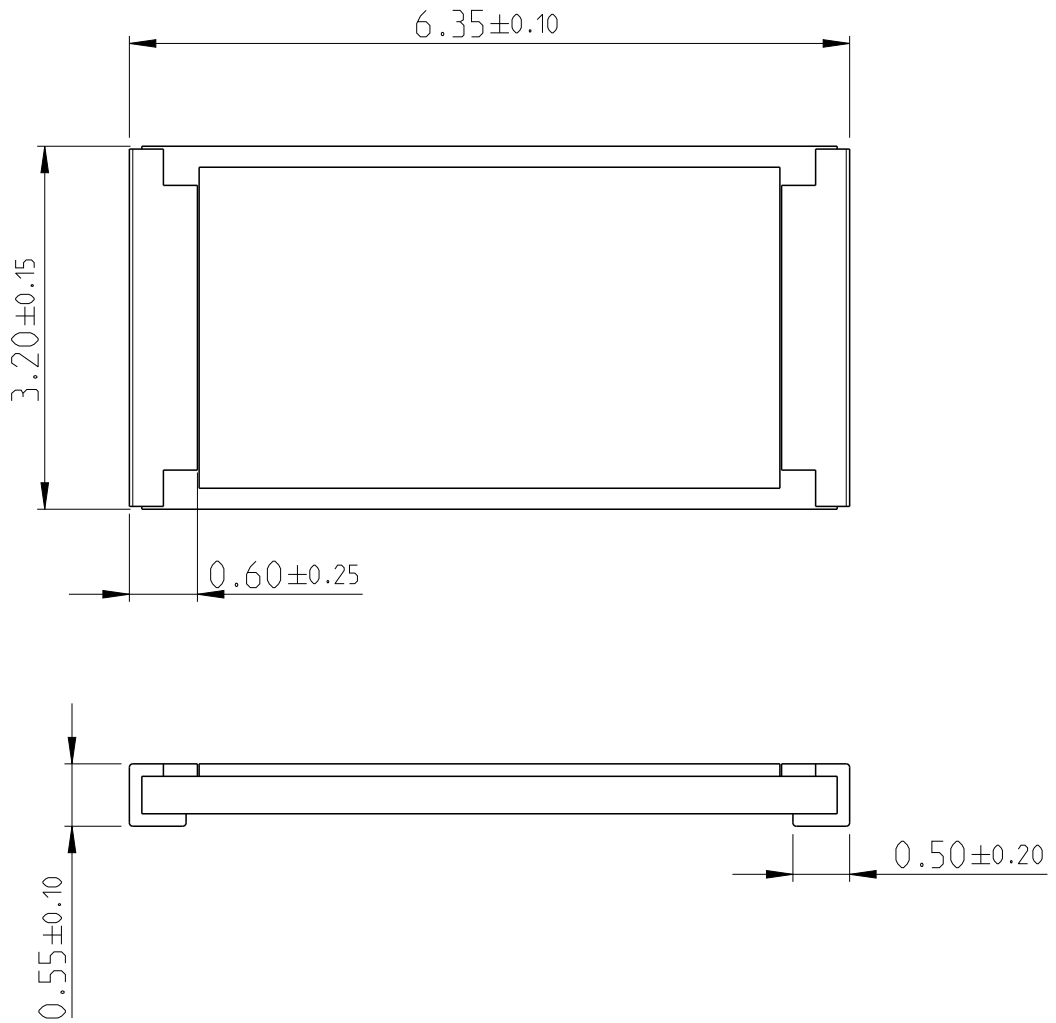
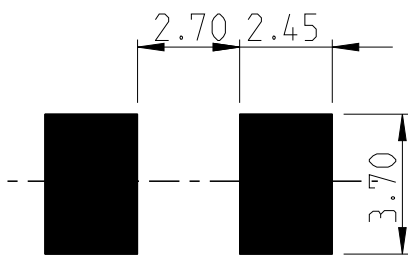


LOC	DIST	REVISIONS					
-	-	P	LTR	DESCRIPTION	DATE	DWN	APVD
		BC		ECR-16-000788	18JAN2016	KR	TN

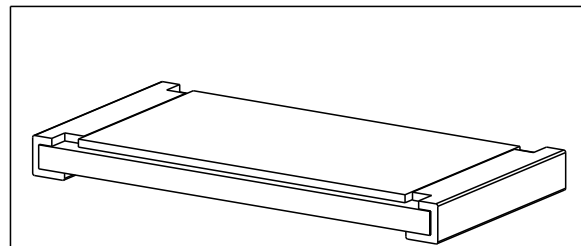


FOR FURTHER INFORMATION SEE PRODUCT SPECIFICATION FOR CRGH SERIES



PCB LAYOUT PLAN

RoHS Compliant



20

RELEASED FOR PUBLICATION

ALL RIGHTS RESERVED.

THIS DRAWING IS UNPUBLISHED.

BY -

© COPYRIGHT 20

DIMENSIONS: mm	DWN RAGHAVENDRA K	27JUN2012	MATERIAL	-	FINISH	-
	CHK ALLAN P	27JUN2012	 TE Connectivity			
TOLERANCES UNLESS OTHERWISE SPECIFIED:	APVD TONY N	27JUN2012				
	0 PLC ±	PRODUCT SPEC	SIZE	CAGE CODE	DRAWING NO	RESTRICTED TO
1 PLC ±0.5	-	-	A 4	00779	C-1879526	-
2 PLC ±0.13	APPLICATION SPEC	-	Customer Drawing			
3 PLC ±0.013	-	-	SCALE	40:1	SHEET	1 OF 1
4 PLC ±0.0001	WEIGHT	-	REV BC			
ANGLES ±						