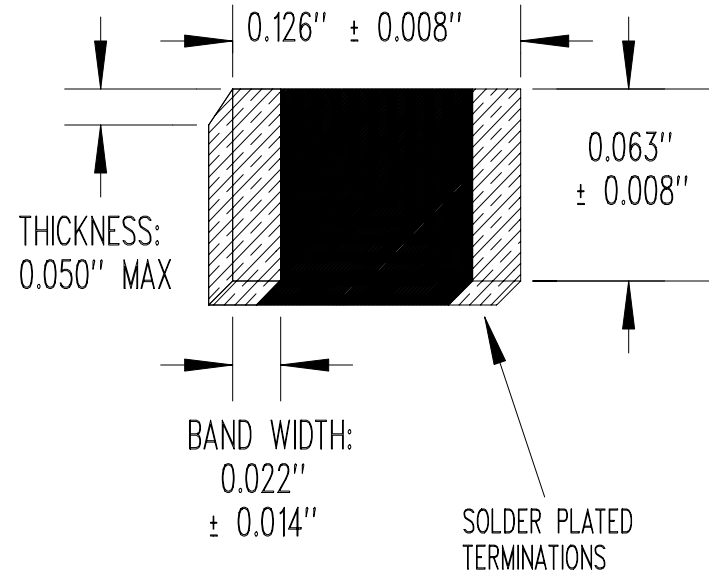


RESISTANCE/TEMPERATURE TABLE			
TEMP (°C)	RESIS (Ω)	TEMP (°C)	RESIS (Ω)
-40	7,555,901	45	83,102
-35	5,415,994	50	67,671
-30	3,924,103	55	55,390
-25	2,872,210	60	45,564
-20	2,122,601	65	37,660
-15	1,582,986	70	31,269
-10	1,190,799	75	26,076
-5	903,155	80	21,838
0	690,356	85	18,362
5	531,625	90	15,505
10	412,293	95	13,143
15	321,908	100	11,182
20	252,958	105	9,547
25	200,000	110	8,179
30	159,135	115	7,030
35	127,405	120	6,061
40	102,606	125	5,242



RESISTANCE @ +25°C = 200,000 Ω ± 5%  
 BETA "β" (+25 TO +85°C) = 4,250°K NOMINAL  
 POWER RATING = 400 mW/°C  
 OPERATING TEMPERATURE RANGE = -40 TO +125°C

SEE MANUFACTURING SPECIFICATION (LAYER 1)

NONE	RELEASE TO PRODUCTION	09/29/04	DD
REV	REVISION RECORD	DATE	APP

SCALE	NONE	<b>U.S. SENSOR CORP.</b> 1832 W. COLL INS AVE. ORANGE, CA. 92867 714-639-1000 www.ussensor.com
DRAWN BY	DAN DANKERT	
DATE	09/29/04	
REV.	NONE	
LAYER	0 OF 2	
		THERMISTOR, NTC CHIP
		P/N LR204ROJ