

MICRO SWITCH
a Honeywell Division

FED. MFG. CODE 91 929

SWITCH - BASIC

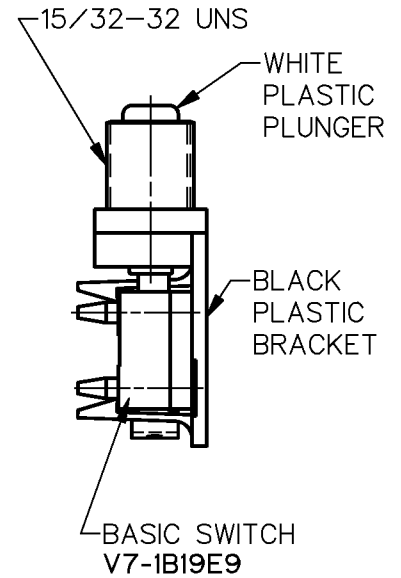
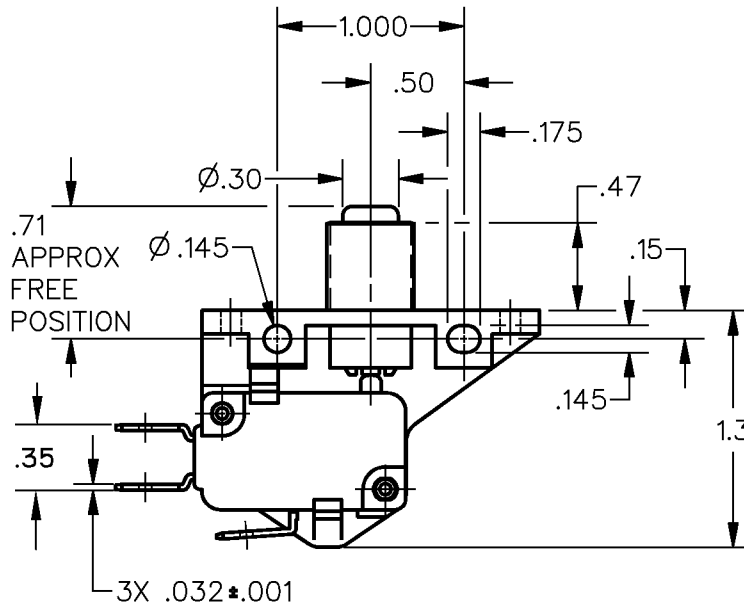
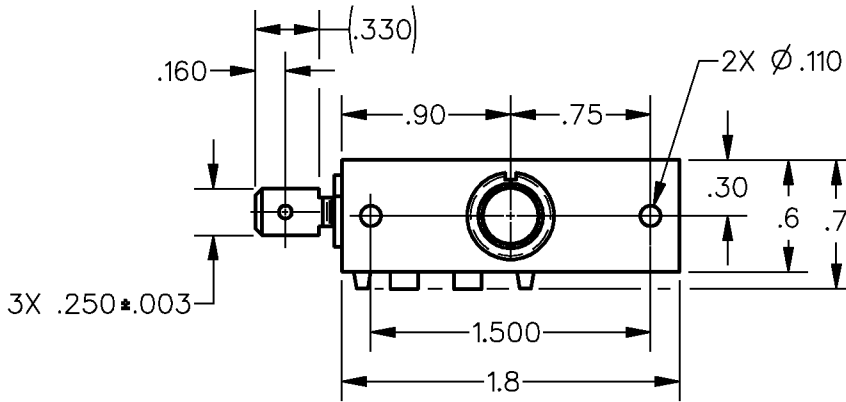
CATALOG LISTING
3BV12B016

LP-R1659

CATALOG LISTING
3BV12B016
PAGE 1 OF 1
ISSUE 3
REPLACES PR-24230
RELEASE NO.

| REVISIONS | CHECK | DATE |
|--------------------------------------|-------|------|
| A PR REL PR24230 JJA 23 AUG 99 | | |
| B 202161 CSL 15 JAN 01 | | |

JAF 23 AUG 99
JAF
CHECK
TSM 9 FEB 99
DRAWN
RASTER

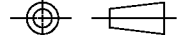


NOTE
1 - MARK BASIC SWITCH WITH V7-1B19E9

ANSI Y14.5M-1982 APPLIES

THIS DRAWING COVERS A PROPRIETARY ITEM AND IS THE PROPERTY OF MICRO SWITCH, A DIVISION OF HONEYWELL. THIS DRAWING IS NOT TO BE COPIED OR USED WITHOUT THE APPROVAL OF MICRO SWITCH.

THIRD ANGLE PROJECTION



| CHARACTERISTICS | ELECTRICAL DATA | SCALE FULL | DO NOT SCALE PRINT |
|-----------------------------------|--|--|--------------------|
| OPERATING FORCE --- 180 GRAMS MAX | CONTACT ARRANGEMENT SPDT | UNLESS OTHERWISE SPECIFIED TOLERANCES ARE | |
| PRETRAVEL --- .052 MAX | L156 11A 1/3HP 125, 250 OR 277 VAC 1/2A 125 VDC, 1/4A 250 VDC 4A 125 VAC "L" | ONE PLACE (.0) ±.030 | |
| | | TWO PLACE (.00) ±.015 | |
| | | THREE PLACE (.000) ±.005 | |
| | | ANGLES ± | |
| | | WEIGHT | |

10 (3)
250
T85 IE5

