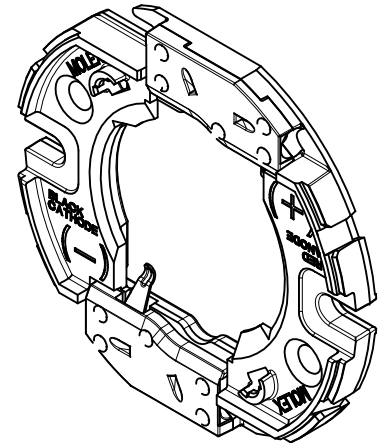
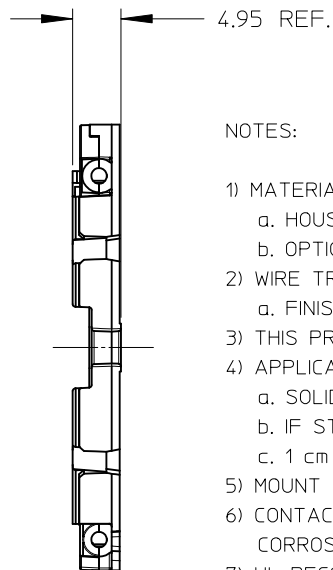
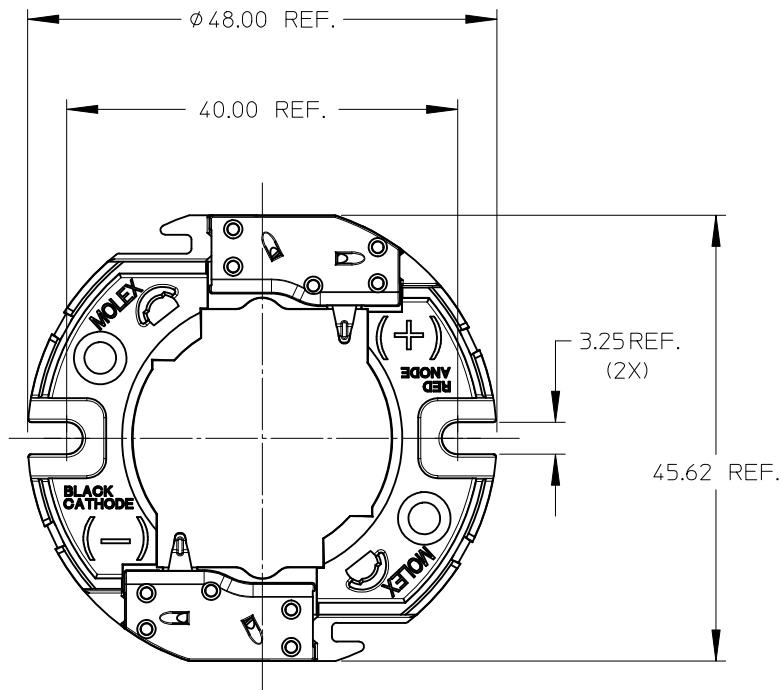
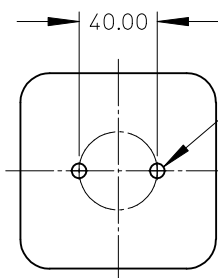


10	9	8	7
PART NUMBER	DESCRIPTION	SEE SHEET	
180150-0000	HOLDER WITHOUT LENS	3	
180150-0001	HOLDER WITH LENS	3	
180152-0000	COVER LENS ONLY	3	
N/A	REFLECTOR OPTION (LEDIL)	4	



NOTES:

- 1) MATERIALS:
 - a. HOUSING AND CAPS: NATURAL COLOR PA66 NYLON 25% GF UL94V-0
 - b. OPTIONAL SNAP ON COVER LENS: CLEAR POLYCARBONATE UL94HB
- 2) WIRE TRAP TERMINALS: COPPER ALLOY
 - a. FINISH: 2.50 MICRONS (100 μ in.) SILVER OVER 1.25 MICRONS (50 μ in.) NICKEL
- 3) THIS PRODUCT IS ELV AND ROHS COMPLIANT
- 4) APPLICABLE WIRE GAUGE - 18 OR 20 AWG
 - a. SOLID WIRE IS RECOMMENDED
 - b. IF STRANDED WIRE IS USED, PRE-TINNED IS RECOMMENDED
 - c. 1 cm STRIP LENGTH RECOMMENDED
- 5) MOUNT HOLDER USING M3 OR 4-40 SCREWS (2), 0.8 NEWTON METERS MAX TORQUE
- 6) CONTACT AREA OF TEMINAL HAS AN ENVIRONMENTAL BARRIER/LUBRICANT FOR CORROSION RESISTANCE
- 7) UL RECOGNIZED TO UL 496
- 8) c-UL RECOGNIZED TO CSA-22.2 No. 43 (2008)
- 9) RATED 600V
- 10) UL FILE NUMBER E345583

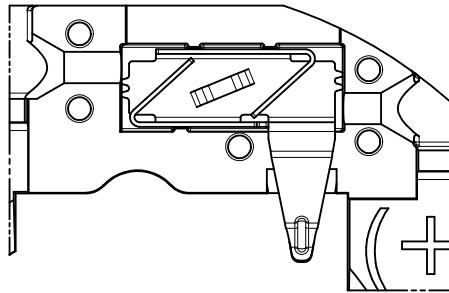
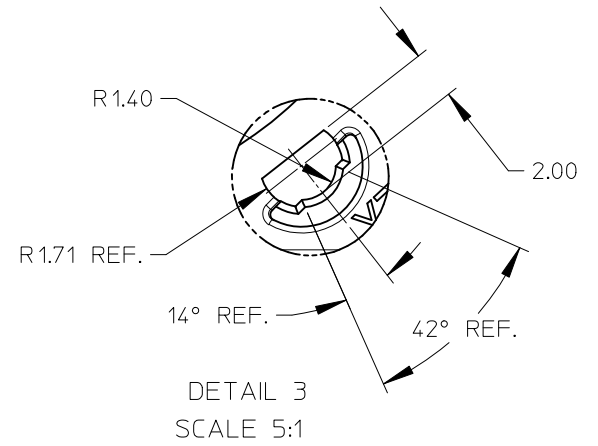
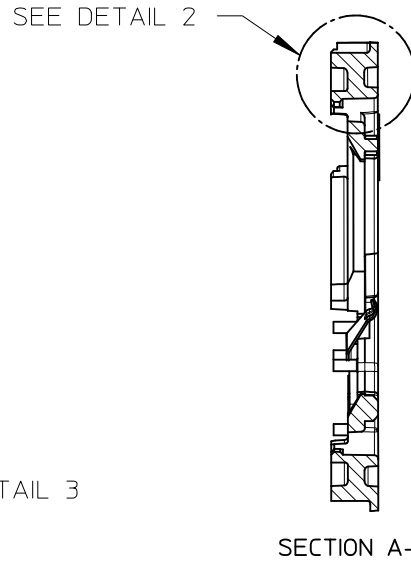
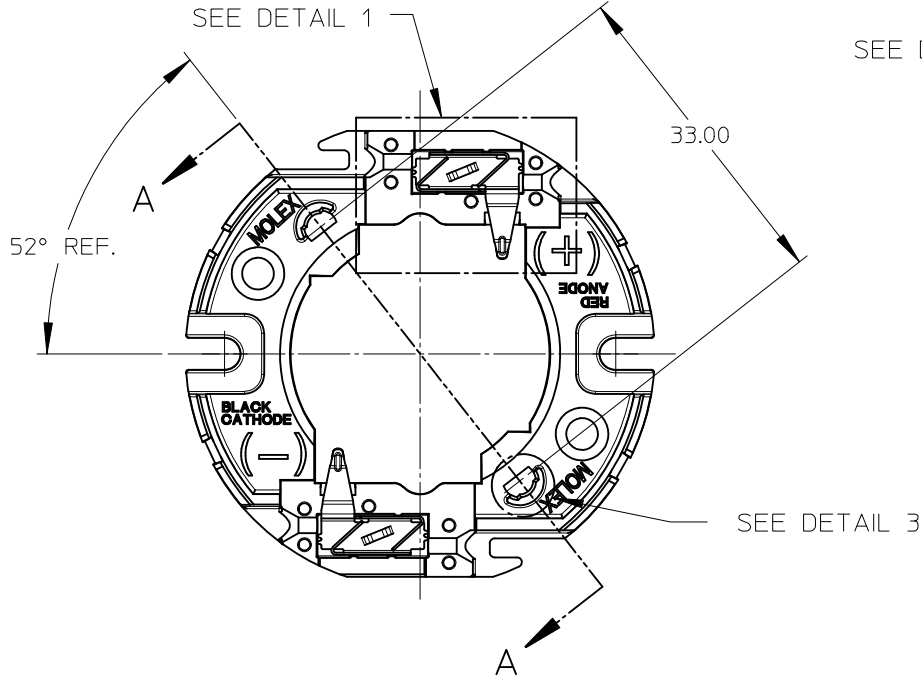


M3 OR 4-40 TAPPED HOLES (2)
TORQUE SCREWS 0.8 NEWTON METERS MAX

RECOMMENDED MOUNTING DIMENSIONS (NTS)

ENTER DESCRIPTION EC NO: SSL2011-0088 DRAWN: CCARRANZA 2011/05/31 CHKD: APPR: DMCGOWAN 2011/05/31 A4	QUALITY SYMBOLS $\nabla F=0$ $\nabla E=0$ $\nabla F=0$	GENERAL TOLERANCES (UNLESS SPECIFIED)		DIMENSION STYLE MM ONLY		SCALE 2:1	DESIGN UNITS METRIC	THIRD ANGLE PROJECTION			
		4 PLACES \pm --- \pm --- 3 PLACES \pm --- \pm --- 2 PLACES \pm 0.13 \pm --- 1 PLACE \pm 0.25 \pm ---	mm INCH	DRAWN BY CCARRANZA	DATE 2010/08/24	TITLE LED HOLDER FOR BRIDGELUX ES ARRAY					
		ANGULAR \pm 1/2°		APPROVED BY DMCGOWAN	DATE 2010/10/12	MOLEX INCORPORATED					
		DRAFT WHERE APPLICABLE MUST REMAIN WITHIN DIMENSIONS		SEE CHART		MATERIAL NO.	DOCUMENT NO. SD-180150-000	SHEET NO. 1 OF 4			

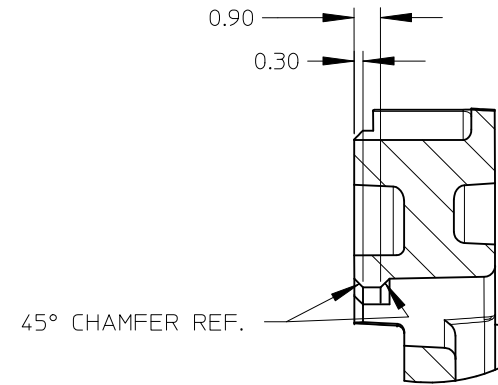
WIRE TRAP CAPS ARE REMOVED FROM FRONT VIEW FOR CLARITY



VIEW OF TWO-WAY WIRE TRAP

WIRE TRAPS WILL ACCOMODATE
EITHER 18 OR 20 GAUGE WIRE

DETAIL 1 SCALE 4:1



LENS TO HOLDER SNAP-FIT DETAIL
DETAIL 2 SCALE 6:1

ENTER DESCRIPTION EC NO: SSL2011-0088 DRAWN: CCARRANZA 2011/05/31 CHKD: APPR: DMCGOWAN 2011/05/31 A4	QUALITY SYMBOLS ▽=0 ▽=0 ▽=0	GENERAL TOLERANCES (UNLESS SPECIFIED)		DIMENSION STYLE MM ONLY		SCALE 2:1	DESIGN UNITS METRIC	THIRD ANGLE PROJECTION		
			mm	INCH	DRAWN BY CCARRANZA	DATE 2010/08/24	TITLE LED HOLDER FOR BRIDGELUX ES ARRAY			
		4 PLACES	± ---	± ---	CHECKED BY DATE		MOLEX INCORPORATED			
		3 PLACES	± ---	± ---	APPROVED BY DMCGOWAN		DATE 2010/10/12	DOCUMENT NO. SD-180150-000	SHEET NO. 2 OF 4	
2 PLACES	± 0.13	± ---	DRAFT WHERE APPLICABLE MUST REMAIN WITHIN DIMENSIONS		SEE CHART		THIS DRAWING CONTAINS INFORMATION THAT IS PROPRIETARY TO MOLEX INCORPORATED AND SHOULD NOT BE USED WITHOUT WRITTEN PERMISSION			
1 PLACE	± 0.25	± ---								
		ANGULAR ±1/2°								

10 9 8 7 6 5 4 3 2 1

F

E

D

C

B

A

F

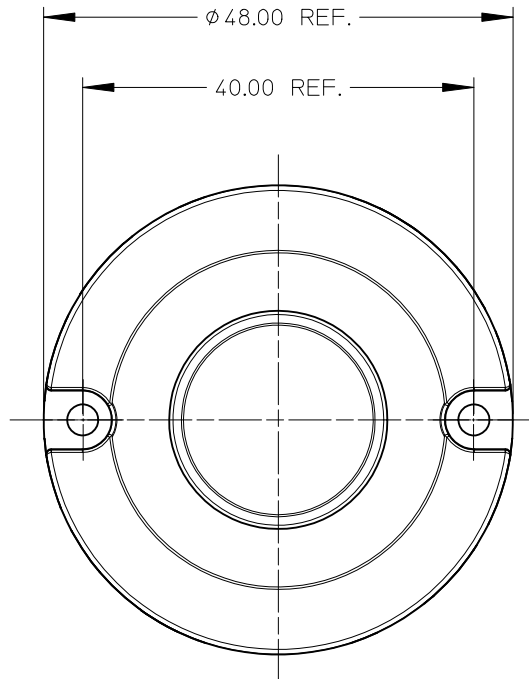
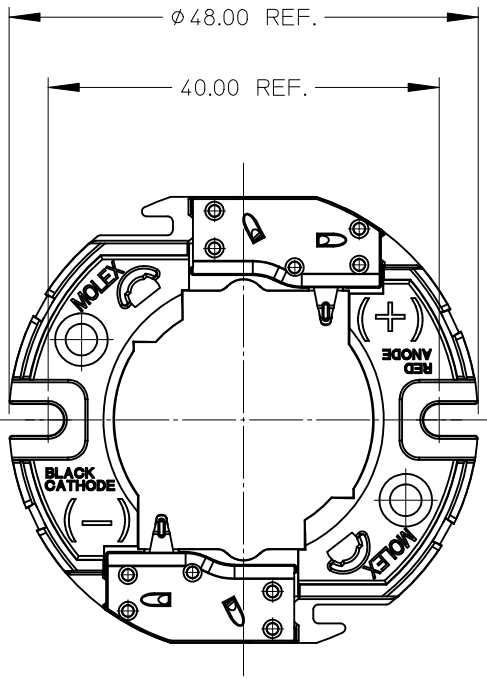
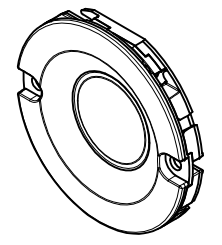
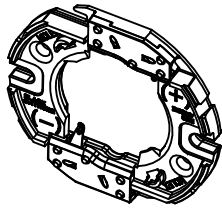
E

D

C

B

A



LED HOLDER PART NUMBER 180150-0000

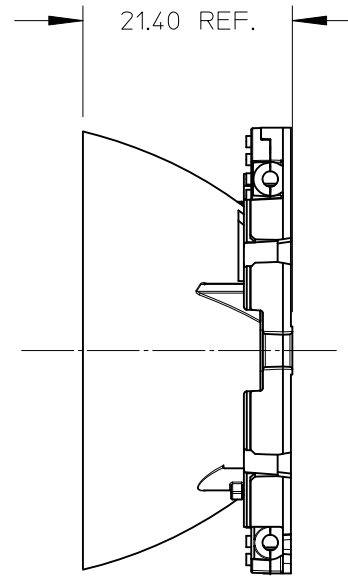
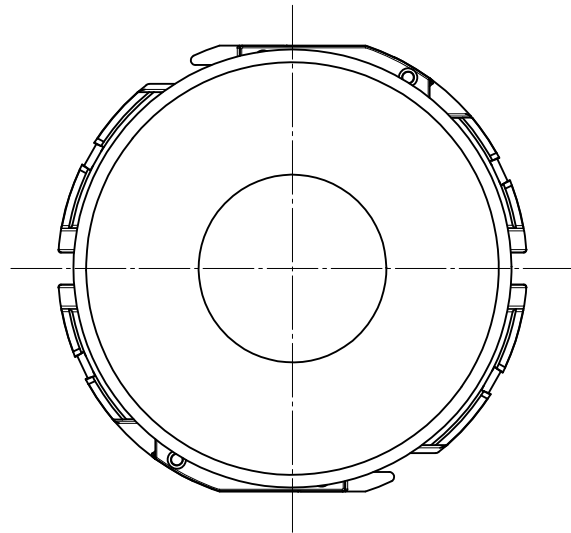
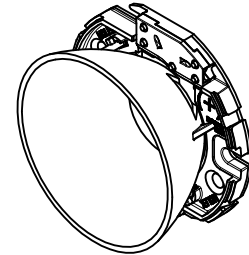
LED HOLDER SHOWN WITH OPTIONAL CLEAR COVER LENS
MOLEX INDIVIDUAL COVER LENS PART NUMBER IS 180152-0000

ENTER DESCRIPTION EC NO: SSL2011-0088 DRAWN: CCARRANZA 2011/05/31 CHKD: APPR: DMCGOWAN 2011/05/31 REV A4	QUALITY SYMBOLS ▽=0 ▽=0 ▽=0	GENERAL TOLERANCES (UNLESS SPECIFIED) <table border="1"> <tr> <th></th> <th>mm</th> <th>INCH</th> </tr> <tr> <td>4 PLACES</td> <td>± ---</td> <td>± ---</td> </tr> <tr> <td>3 PLACES</td> <td>± ---</td> <td>± ---</td> </tr> <tr> <td>2 PLACES</td> <td>± 0.13</td> <td>± ---</td> </tr> <tr> <td>1 PLACE</td> <td>± 0.25</td> <td>± ---</td> </tr> <tr> <td colspan="3">ANGULAR ±1/2°</td> </tr> </table>		mm	INCH	4 PLACES	± ---	± ---	3 PLACES	± ---	± ---	2 PLACES	± 0.13	± ---	1 PLACE	± 0.25	± ---	ANGULAR ±1/2°			DIMENSION STYLE MM ONLY DRAWN BY: CCARRANZA DATE: 2010/08/24 CHECKED BY: _____ DATE: _____ APPROVED BY: DMCGOWAN DATE: 2010/10/12 MATERIAL NO.	SCALE 2:1 DESIGN UNITS METRIC THIRD ANGLE PROJECTION	TITLE LED HOLDER FOR BRIDGELUX ES ARRAY MOLEX INCORPORATED DOCUMENT NO. SD-180150-000 SHEET NO. 3 OF 4
		mm	INCH																				
	4 PLACES	± ---	± ---																				
	3 PLACES	± ---	± ---																				
2 PLACES	± 0.13	± ---																					
1 PLACE	± 0.25	± ---																					
ANGULAR ±1/2°																							
DRAFT WHERE APPLICABLE MUST REMAIN WITHIN DIMENSIONS		SEE CHART		THIS DRAWING CONTAINS INFORMATION THAT IS PROPRIETARY TO MOLEX INCORPORATED AND SHOULD NOT BE USED WITHOUT WRITTEN PERMISSION																			
		SIZE B																					

9 8 7 6 5 4 3 2 1

10 9 8 7 6 5 4 3 2 1

SHOWN WITH OPTIONAL REFLECTOR
 SOLD SEPARATELY BY LEDIL @ www.ledil.com



ENTER DESCRIPTION EC NO: SSL2011-0088 DRAWN: CCARRANZA 2011/05/31 CHKD: APPR: DMCGOWAN 2011/05/31 REV A4	QUALITY SYMBOLS F/0 F/0 F/0	GENERAL TOLERANCES (UNLESS SPECIFIED) <table border="1"> <thead> <tr> <th></th> <th>mm</th> <th>INCH</th> </tr> </thead> <tbody> <tr> <td>4 PLACES</td> <td>± ---</td> <td>± ---</td> </tr> <tr> <td>3 PLACES</td> <td>± ---</td> <td>± ---</td> </tr> <tr> <td>2 PLACES</td> <td>± 0.13</td> <td>± ---</td> </tr> <tr> <td>1 PLACE</td> <td>± 0.25</td> <td>± ---</td> </tr> <tr> <td colspan="3">ANGULAR ±1/2°</td> </tr> </tbody> </table>		mm	INCH	4 PLACES	± ---	± ---	3 PLACES	± ---	± ---	2 PLACES	± 0.13	± ---	1 PLACE	± 0.25	± ---	ANGULAR ±1/2°			DIMENSION STYLE MM ONLY DRAWN BY DATE CCARRANZA 2010/08/24 CHECKED BY DATE	SCALE 4:1 DESIGN UNITS METRIC THIRD ANGLE PROJECTION	TITLE LED HOLDER FOR BRIDGELUX ES ARRAY
		mm	INCH																				
	4 PLACES	± ---	± ---																				
	3 PLACES	± ---	± ---																				
2 PLACES	± 0.13	± ---																					
1 PLACE	± 0.25	± ---																					
ANGULAR ±1/2°																							
DRAFT WHERE APPLICABLE MUST REMAIN WITHIN DIMENSIONS	APPROVED BY DATE DMCGOWAN 2010/10/12	MATERIAL NO.	DOCUMENT NO. SD-180150-000	SHEET NO. 4 OF 4																			
SEE CHART	THIS DRAWING CONTAINS INFORMATION THAT IS PROPRIETARY TO MOLEX INCORPORATED AND SHOULD NOT BE USED WITHOUT WRITTEN PERMISSION																						

9 8 7 6 5 4 3 2 1