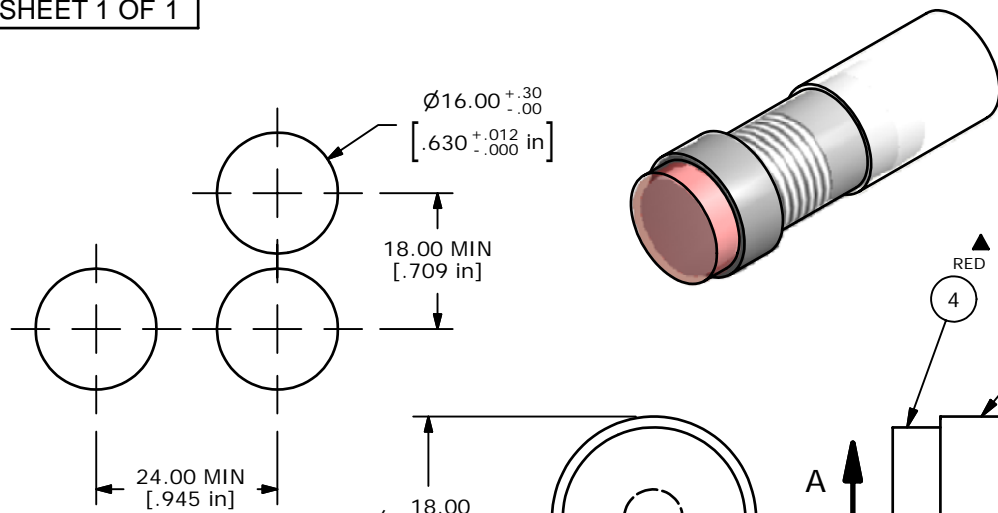
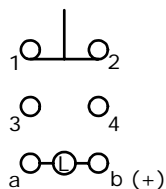


PARTS LIST				
ITEM	QTY	PART NUMBER	DESCRIPTION	
1	1	F051601	P16 PLASTIC TERMINAL PROTECTOR	
2	1	F050414	50-004-14 220 VAC NEON RED	
3	1	F040015	P16EER11	
4	1	F050104	50-001-04 RED LENS, TRANSPARENT (CONCAVE)	



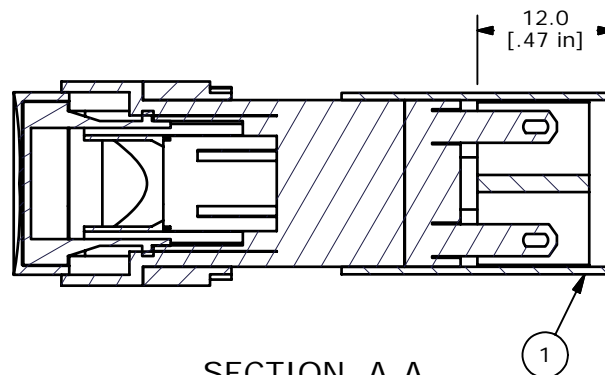
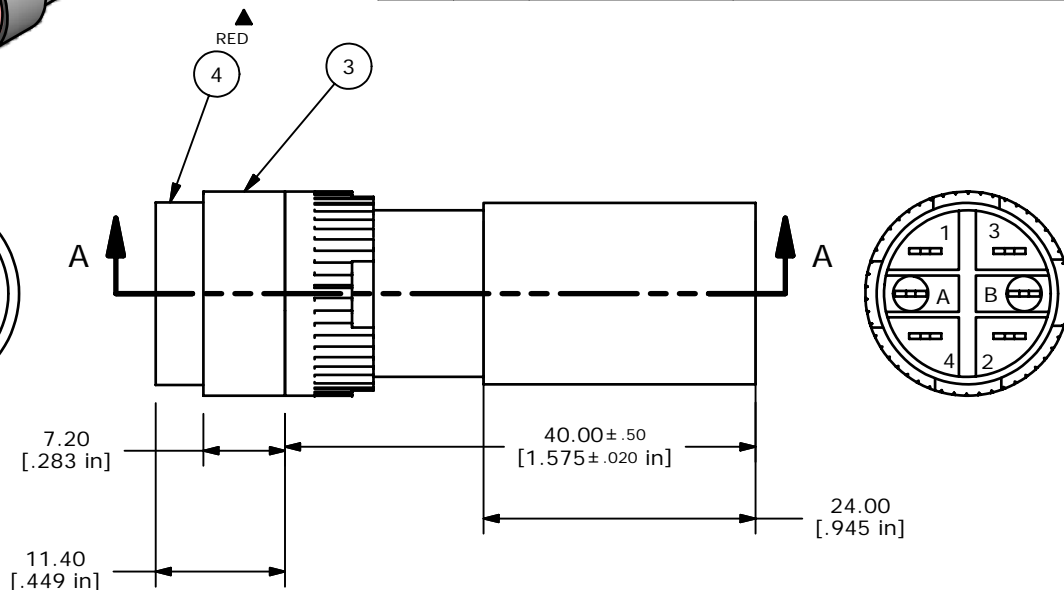
PANEL MOUNTING



CONTACT CONFIGURATION

NOTE:

1. ALL DIMENSIONS IN MM [INCH]
2. GENERAL TOLERANCE: X.X=±0.4
X.XX=±0.25
3. TERMINAL NUMBERS FOR REF ONLY
4. CONTACT RATING: 5A@ 250VAC
8A@ 125VAC
6A@ 24VDC
5. ELECTRICAL LIFE: 50,000 OPERATIONS
6. INSULATION RESISTANCE: 1,000 MEGA-OHM MIN.
7. OPERATING TEMP.: -25°C to 55°C
- ▲ 8. LAMP VOLTAGE: 220 VAC RED NEON
9. ▲ DENOTES CRITICAL PARAMETER.
10. DEGREE OF PROTECTION: IP 40
11. MOUNTING PANEL: 0.5 - 5.0 mm THICK
12. PACKAGE: BOX/20 PCS
13. 2002/95/EC (ROHS) COMPLIANT



SECTION A-A
SCALE 1.50 : 1



A	18528	RELEASED FOR PRODUCTION	5/15/09	BLR
REV	PCR NO	DESCRIPTION	DATE	BY

TITLE P16EER11GREDRED				
SCALE 1.5 : 1	DATE 5/15/2009	DR BLR	DWG XF0797P	REV A

THE INFORMATION CONTAINED IN THIS DOCUMENT IS PROPRIETARY TO E-SWITCH AND IS NOT TO BE COPIED OR TRANSFERRED