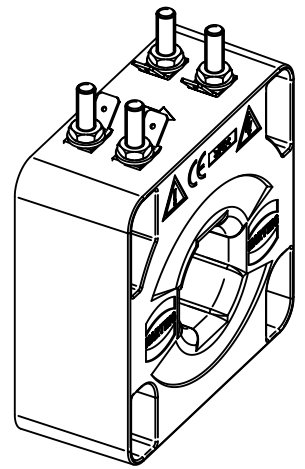
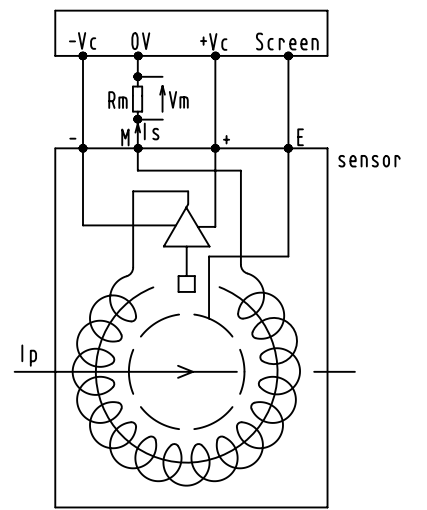
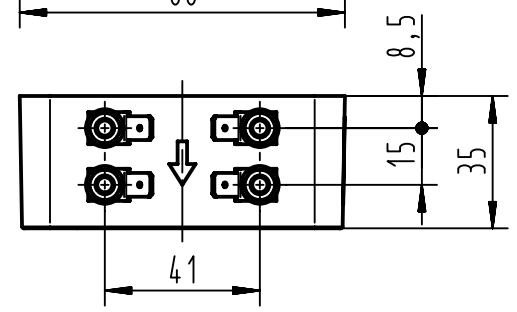
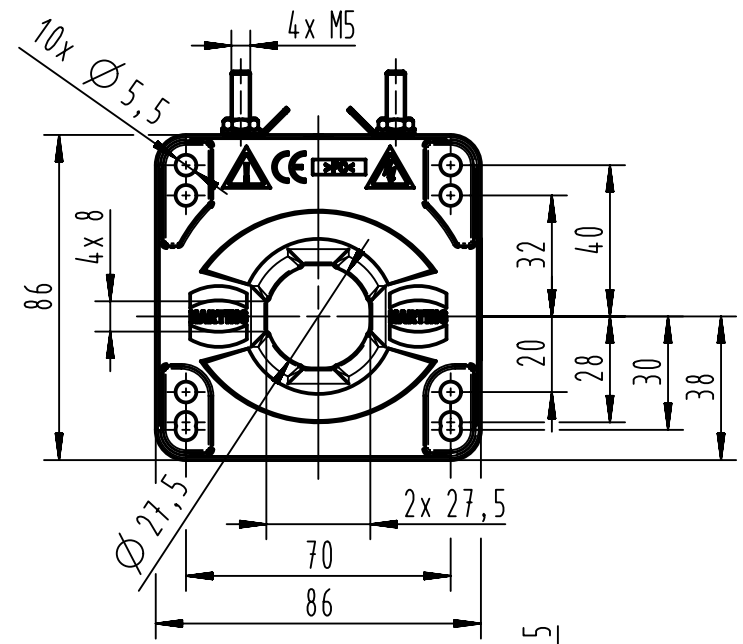
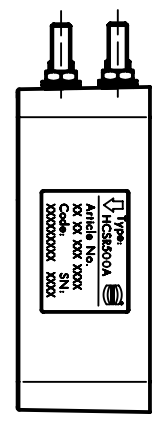
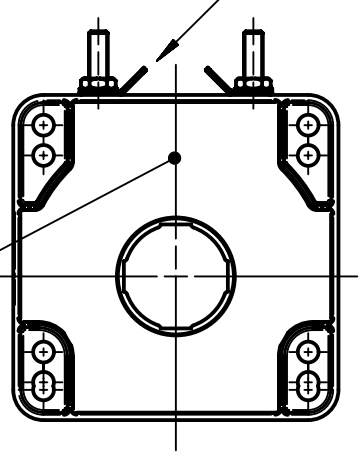


1 2 3 4 5 6

A  
B  
C  
D

4 x Faston  
6,3 x 0,8

Hall-Element  
Position



4x locknut M5 unmounted included

	All rights reserved Department EL PD - DE HARTING Electric GmbH & Co. KG D-32339 Espelkamp	All Dimensions in mm Original Size DIN A4	Scale 1:2 Free size tol.	Ref. Sub.
		Created by GRUBES Title Hall Effect current sensor HCSR 500A Type TB	Inspected by HORSTMANNJ Standardisation TIEMANNA Number 20 31 050 9101	Date 2013-02-15 State Final Release