



# PRODUCT DATASHEET

## Rose series

last update 25/11/2016

### DETAILS

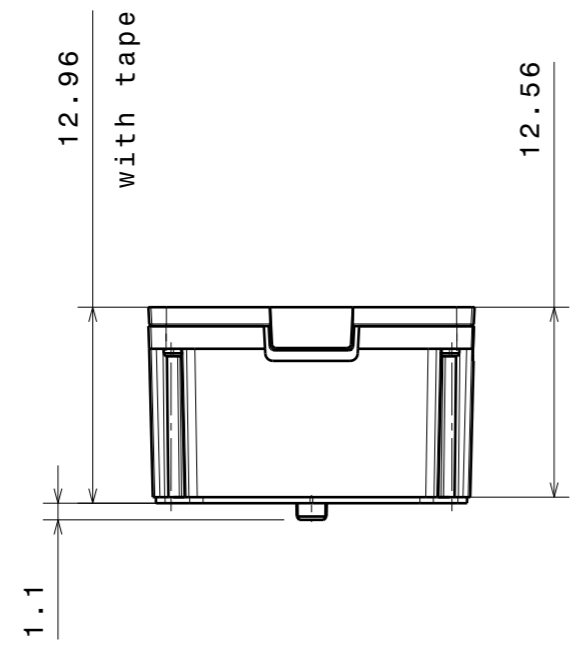
<b>Product Number</b>	FA15233_ROSE-MRK-W
<b>Family</b>	Rose
<b>Type</b>	Assembly
<b>Color</b>	white
<b>Diameter</b>	21,6 x 21,6 mm
<b>Height</b>	12,96 mm
<b>Style</b>	square
<b>Optic Material</b>	PC
<b>Holder Material</b>	
<b>Fastening</b>	tape, pin
<b>Status</b>	production ready
<b>ROHS Compliant</b>	Yes
<b>Date Updated</b>	25/11/2016



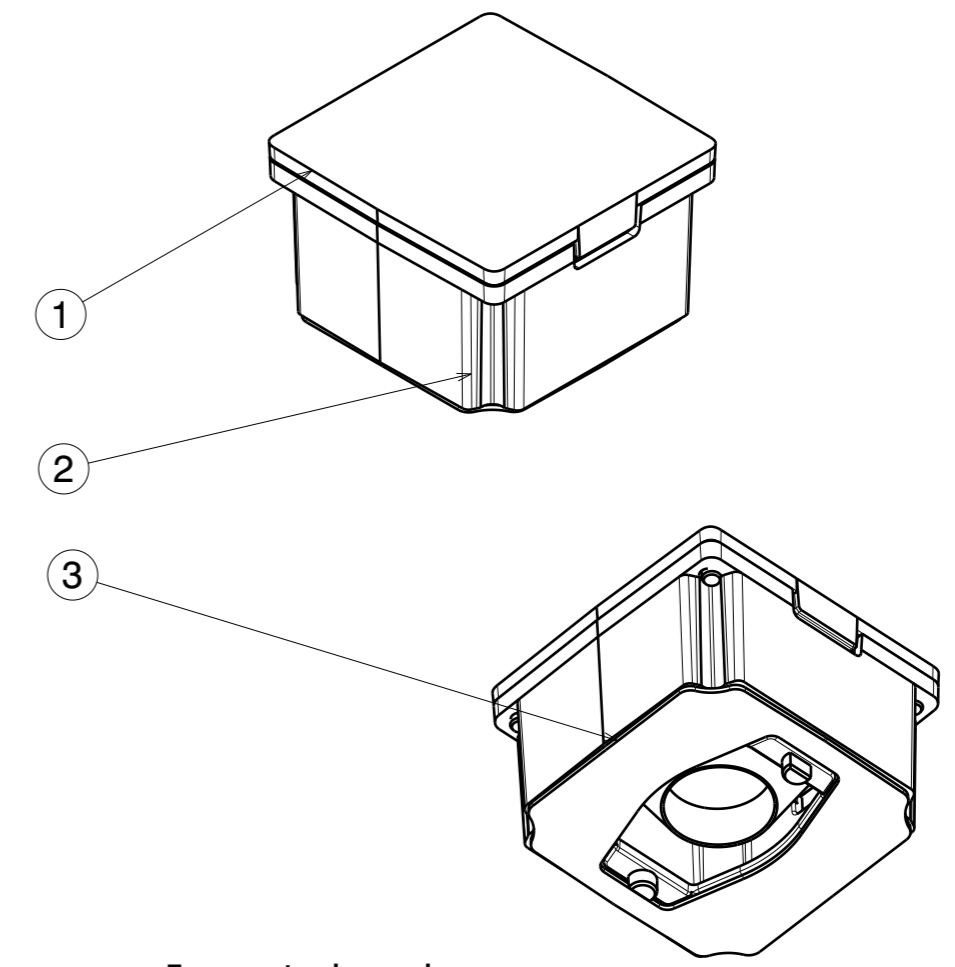
### OPTICAL PROPERTIES

LED	Viewing Angle	Light Beam	Efficiency	cd/lm	Connector
LUXEON M/MX	62 deg	Wide	84 %	0.690	-
Duris P10	sim: 56	Wide	sim: 87 %	sim: 0.890	-

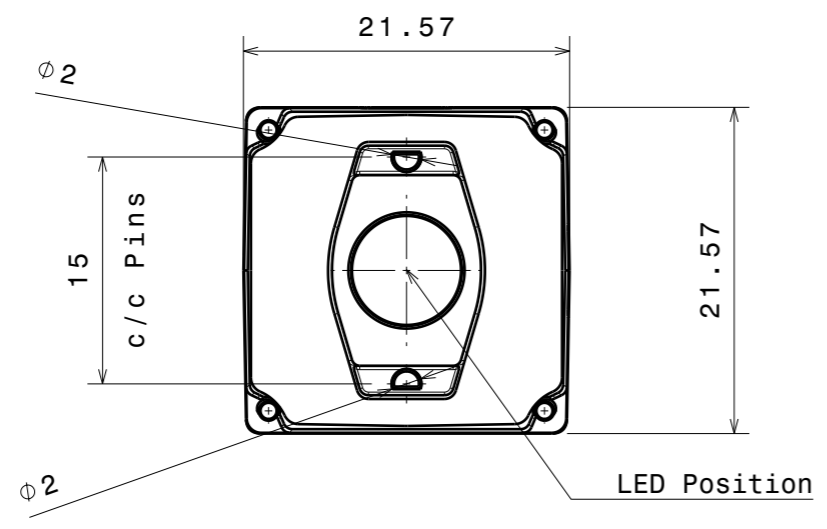
H G F E D C B A



Front view



Isometric view



Bottom view

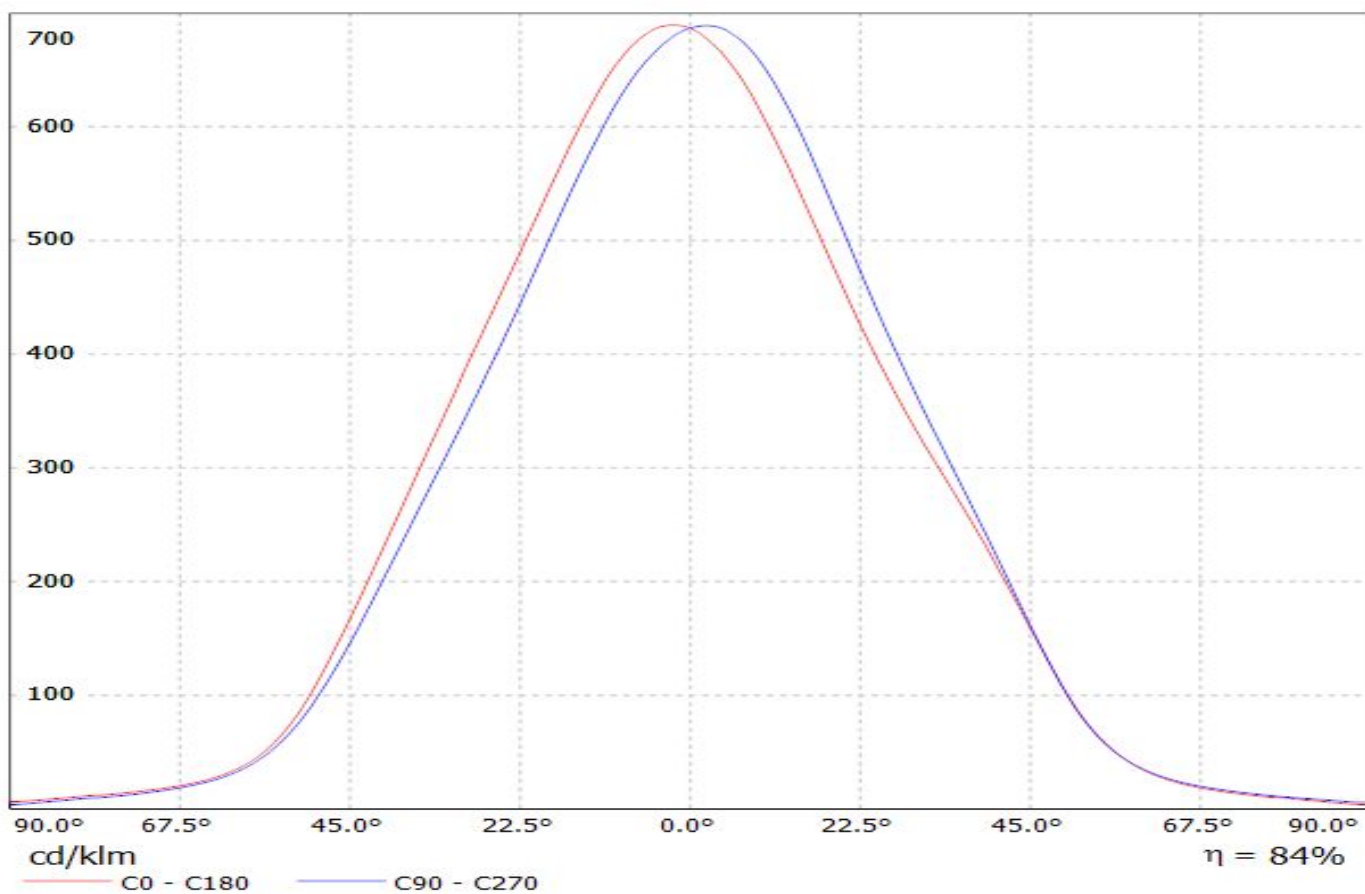
FA15229	ROSE-MRK-S
FA15232	ROSE-MRK-M
FA15233	ROSE-MRK-W

INDEX	PART NO	DESCRIPTION	MATERIAL	COLOUR
1	-	ROSE-MRK S/M/W	PC	clear
2	F14946	ROSE-Lt-HLD-MRK	PC	white
3	F14629	ROSE-TAPE	two-sided adhesive foam tape	

<p>Tolerances if not otherwise shown According to DIN ISO 2768-1 Linear measures: Up to 30mm class M, otherwise class C. According to DIN ISO 2768-2 Form and position: class L</p>	Ledil Oy Salorankatu 10 FIN 24240 SALO Finland		
	THIRD ANGLE PROJECTION:		
<p>This drawing is the property of LEDiL Oy. It may not be reproduced, copied or communicated without a written agreement with LEDiL Oy.</p>	DRAWING TITLE <b>ROSE-MRK MechanicalDrawing</b>		
	SIZE <b>A3</b>	PART NUMBER <b>FA15229/FA15232/FA15233</b>	
SCALE 2:1		WEIGHT -	SHEET 1/1

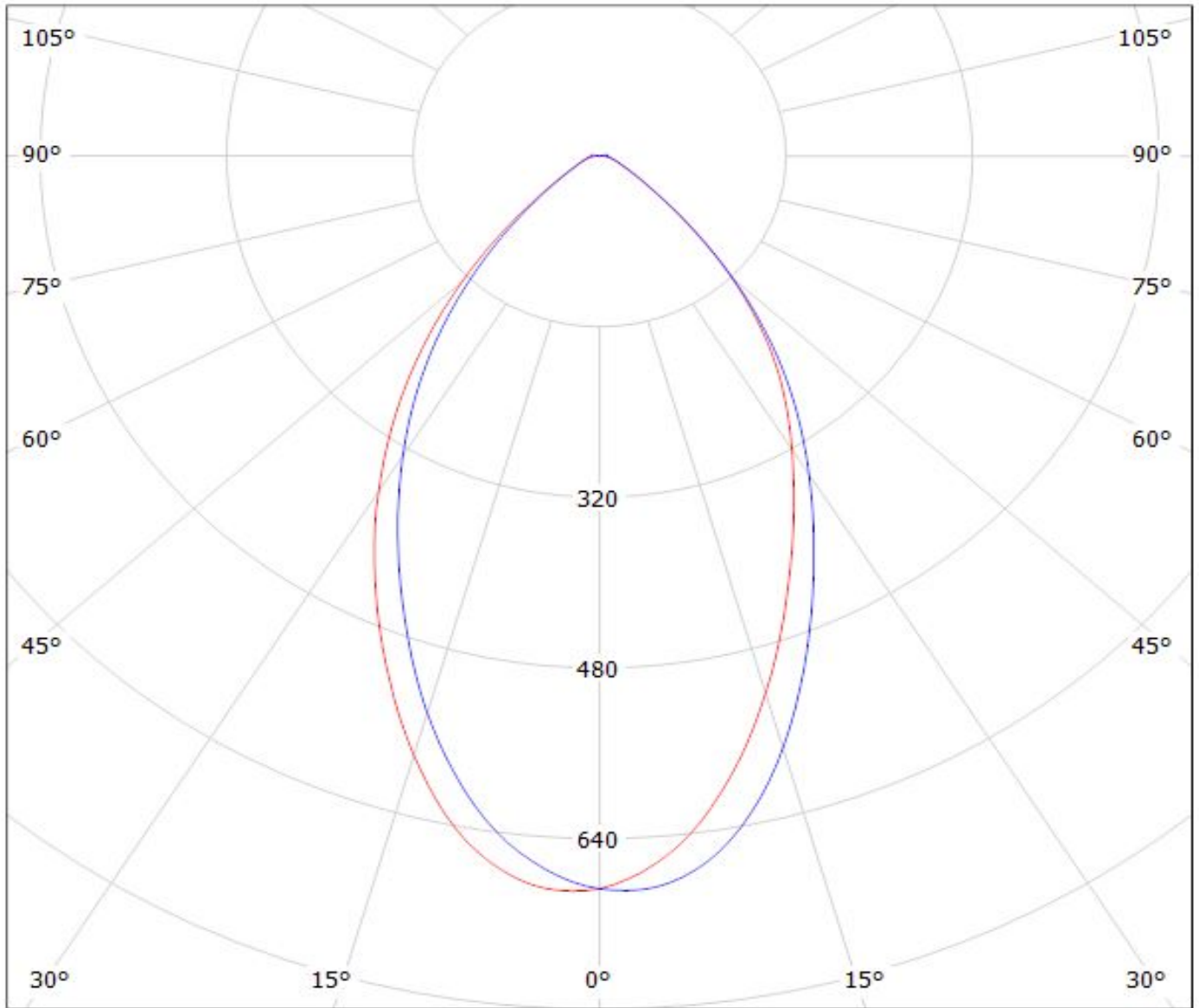
H G B A

Luminaire: LEDiL Oy F14953\_ROSE-MRK-W\_(Luxeon\_M)\_C3  
Lamps: 1 x Luxeon\_M\_(LXR8-SW40)\_382.455lm@250mA\_P=2.77478W\_I=0.250A



Luminaire: LEDiL Oy F14953\_ROSE-MRK-W\_(Luxeon\_M)\_C3

Lamps: 1 x Luxeon\_M\_(LXR8-SW40)\_382.455lm@250mA\_P=2.77478W\_I=0.250A



cd/klm

— C0 - C180

— C90 - C270

$\eta = 84\%$

**NOTE: The typical divergence will be changed by different color, chip size and chip position tolerance. The typical total divergence is the full angle measured where the luminous intensity is half of the peak value.**